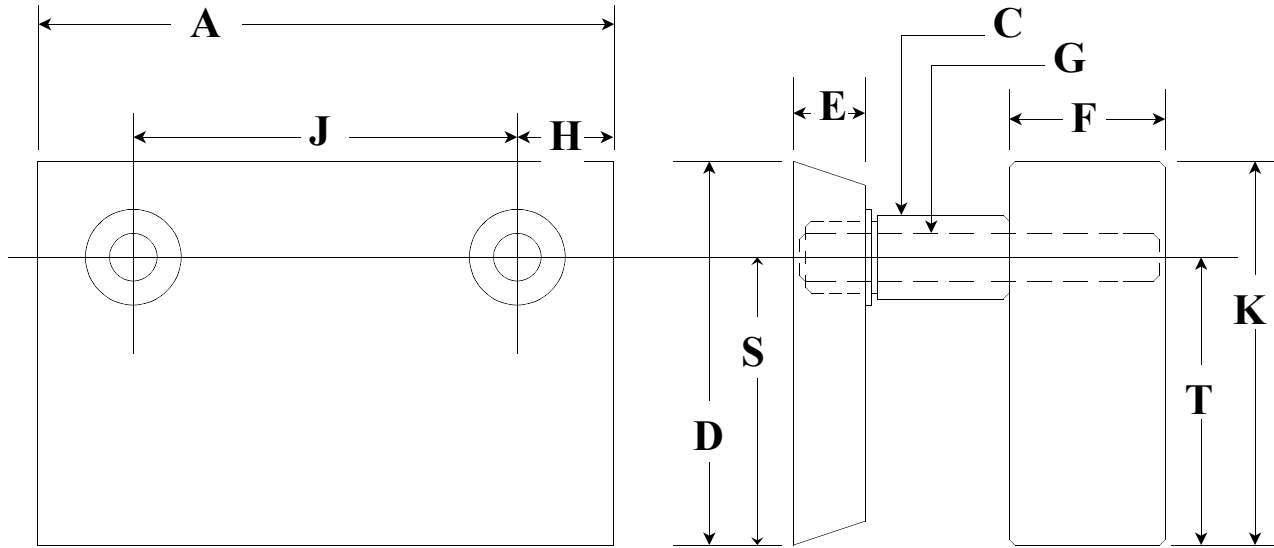




# Order/Quotation Request Form



**Our Model Number:** \_\_\_\_\_

**Special Order Dimensions:**

**A:** \_\_\_\_\_ **B:** \_\_\_\_\_ **C:** \_\_\_\_\_ **D:** \_\_\_\_\_  
Pin Length Bushing Type Punch Holder

**E:** \_\_\_\_\_ **F:** \_\_\_\_\_ **G:** \_\_\_\_\_ **H:** \_\_\_\_\_

**J:** \_\_\_\_\_ **K:** \_\_\_\_\_ **S:** \_\_\_\_\_ **T:** \_\_\_\_\_

**Any Special Instructions?**

\_\_\_\_\_  
 \_\_\_\_\_

Company Name: \_\_\_\_\_  
 Address: \_\_\_\_\_  
 \_\_\_\_\_  
 Contact Person: \_\_\_\_\_  
 Phone Number: \_\_\_\_\_ Fax Number: \_\_\_\_\_  
 Purchase Order No: \_\_\_\_\_ Today's Date: \_\_\_\_\_

If Requesting a Quote Please Check Here: \_\_\_\_\_

**Confirmation on Orders and Quote Requests will be faxed or mailed within 24 hours of receipt. Thank you.**

**3531 Perry Street, Hudsonville, MI 49426**  
**Phone: (616) 896-7888 Fax: (616) 896-9539**  
**E-mail: davonmfg@aol.com**